


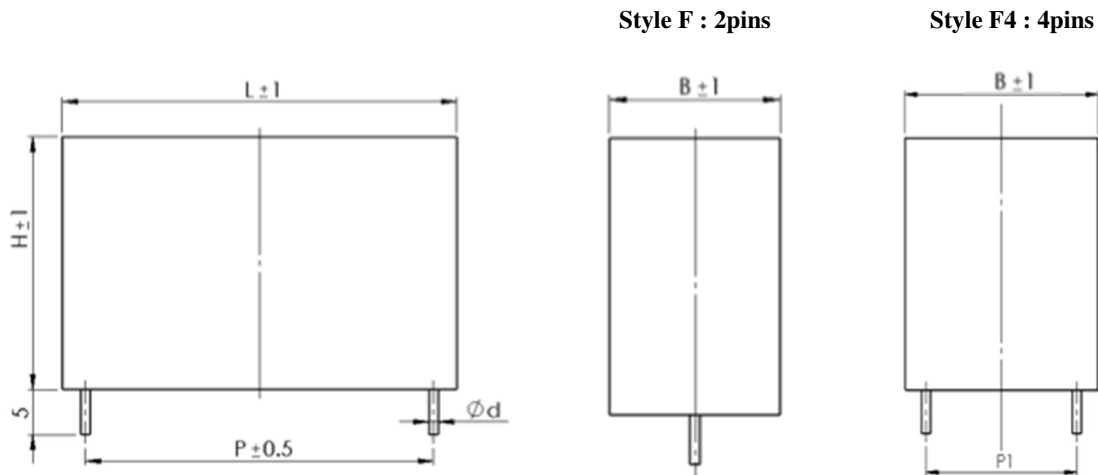
www.oneontatechnologies.com

❖General Description

Standard Reference	IEC 61071	
Climatic Category	40 / 85 / 56	
Dielectric Material	Self-Healing Metallized Polypropylene	
Case Type	Plastic case, Resin filled, UL94V-0	
Terminals Type	Tinned Copper Wire	
Capacitance Range	Cn: 5.0µF ~ 200.0µF (1kHz , 20°C)	
Capacitance Tolerance	J (±5%), K(±10%)	
Dissipation Factor	Dielectric Dissipation Factor (tg δ): 0.0002 (1kHz , 20°C)	
Insulation Resistance	IR × Cn : ≥10000s (100Vdc, 60s, 20°C)	
Rated Voltage	Un : 300VDC ~ 3000VDC	
Test voltage U _{TT}	U _{TT} : 1.5Un (10s , 20°C)-Test voltage between both terminals	
Test voltage U _{TC}	U _{TC} : 3000Vac (10s , 20°C)-Test voltage between terminals with case	
Operating Temperature	-40°C ~ +85°C; Θ _{hs} ≤ 85°C, 1.0Un	
Storage Temperature	-40°C ~ +85°C	
Lifetime Expectancy	100,000 hours (1.0Un , Θ _{hs} ≤ 70°C)	
Applications	Wind/Solar Inverter , Medical power, High frequency power supply etc..	
Remarks	RoHs Compliant on request. Add "R" to p/n. *Other capacitance, voltage and dimensions are available on request	

❖Outline Drawing

Unit: mm



❖ **Electrical Characteristics**

USM38 Series

www.oneontatechnologies.com

Part Number	Cn	Un	ESR	dv/dt	I Peak	Irms max. A	Dimension (mm)					
	μF	Vdc	mΩ	V/μs	Amps		L	B	H	P	P1	Ød
<i>Un 600VDC ,U_{TT}: 900VDC</i>												
USM38-126K600F437.5	12	600	12	25	300	9	42.5	24.5	27.5	37.5	20.3	1.2
USM38-206K600F437.5	20	600	7.0	25	500	11	42.5	34	36	37.5	20.3	1.2
USM38-256K600F437.5	25	600	5.5	25	625	13	42.5	34	36	37.5	20.3	1.2
USM38-306K600F437.5	30	600	5.0	25	750	15	42.5	34	36	37.5	20.3	1.2
USM38-356K600F437.5	35	600	4.5	25	875	17	42.5	33	45	37.5	20.3	1.2
USM38-406K600F437.5	40	600	4.0	25	1000	19	42.5	33	45	37.5	20.3	1.2
USM38-456K600F437.5	45	600	3.8	25	1125	21	42.5	33	45	37.5	20.3	1.2
USM38-506K600F452.5	50	600	6.0	20	1000	20	57.5	30	45	52.5	20.3	1.2
USM38-606K600F452.5	60	600	5.5	20	1200	22	57.5	35	50	52.5	20.3	1.2
USM38-806K600F452.5	80	600	4.5	20	1600	24	57.5	42.5	56	52.5	20.3	1.2
USM38-906K600F452.5	90	600	4.0	20	1800	26	57.5	42.5	56	52.5	20.3	1.2
USM38-107K600F452.5	100	600	3.5	20	2000	30	57.5	42.5	56	52.5	20.3	1.2
USM38-127K600F452.5	120	600	3.0	20	2400	35	57.5	42.5	56	52.5	20.3	1.2
<i>Un 800VDC ,U_{TT}: 1200VDC</i>												
USM38-106K800F437.5	10	800	14	22	220	7	42.5	24.5	27.5	37.5	20.3	1.2
USM38-156K800F437.5	15	600	10	22	330	9	42.5	34	36	37.5	20.3	1.2
USM38-206K800F437.5	20	800	7.5	22	440	11	42.5	34	36	37.5	20.3	1.2
USM38-256K800F437.5	25	800	6.0	22	550	13	42.5	34	36	37.5	20.3	1.2
USM38-306K800F437.5	30	800	5.1	22	660	15	42.5	33	45	37.5	20.3	1.2
USM38-356K800F437.5	35	800	4.5	22	770	17	42.5	33	45	37.5	20.3	1.2
USM38-406K800F437.5	40	800	4.0	22	880	19	42.5	33	45	37.5	20.3	1.2
USM38-506K800F452.5	50	800	6.5	18	900	18	57.5	30	45	52.5	20.3	1.2
USM38-606K800F452.5	60	800	5.5	18	1080	20	57.5	35	50	52.5	20.3	1.2
USM38-706K800F452.5	70	800	4.8	18	1260	22	57.5	42.5	56	52.5	20.3	1.2
USM38-806K800F452.5	80	800	4.2	18	1440	24	57.5	42.5	56	52.5	20.3	1.2
USM38-906K800F452.5	90	800	4.0	18	1620	26	57.5	42.5	56	52.5	20.3	1.2
USM38-956K800F452.5	95	800	3.8	18	1710	28	57.5	42.5	56	52.5	20.3	1.2

❖ Electrical Characteristics

USM38 Series

www.oneontatechnologieis.com

Part Number	Cn	Un	ESR	dv/dt	I Peak	Irms max. A	Dimension (mm)					
	μF	Vdc	mΩ	V/μs	Amps		L	B	H	P	P1	Ød
Un 900VDC ,U_{TT}: 1350VDC												
USM38-805K900F437.5	8	900	11	35	280	9	42.5	24.5	27.5	37.5	20.3	1.2
USM38-156K900F437.5	15	900	6.2	35	525	11	42.5	34	36	37.5	20.3	1.2
USM38-206K900F437.5	20	900	4.8	35	700	13	42.5	33	45	37.5	20.3	1.2
USM38-256K900F437.5	25	900	4.0	35	875	15	42.5	33	45	37.5	20.3	1.2
USM38-306K900F452.5	30	900	6.5	25	750	14	57.5	30	45	52.5	20.3	1.2
USM38-356K900F452.5	35	900	5.5	25	875	16	57.5	35	50	52.5	20.3	1.2
USM38-406K900F452.5	40	900	5.0	25	1000	18	57.5	35	50	52.5	20.3	1.2
USM38-456K900F452.5	45	900	4.5	25	1125	20	57.5	42.5	56	52.5	20.3	1.2
USM38-506K900F452.5	50	900	4.2	25	1250	22	57.5	42.5	56	52.5	20.3	1.2
USM38-556K900F452.5	55	900	3.8	25	1375	24	57.5	42.5	56	52.5	20.3	1.2
Un 1100VDC ,U_{TT}: 1650VDC												
USM38-605K1100F437.5	6	1100	13	45	270	9	42.5	24.5	27.5	37.5	20.3	1.2
USM38-106K1100F437.5	10	1100	7.5	45	450	11	42.5	34	36	37.5	20.3	1.2
USM38-156K1100F437.5	15	1100	5.2	45	675	14	42.5	33	45	37.5	20.3	1.2
USM38-206K1100F452.5	20	1100	7.8	35	700	13	57.5	30	45	52.5	20.3	1.2
USM38-256K1100F452.5	25	1100	6.5	35	875	15	57.5	35	50	52.5	20.3	1.2
USM38-306K1100F452.5	30	1100	5.8	35	1050	17	57.5	35	50	52.5	20.3	1.2
USM38-356K1100F452.5	35	1100	4.8	35	1225	19	57.5	42.5	56	52.5	20.3	1.2
USM38-406K1100F452.5	40	1100	4.2	35	1400	21	57.5	42.5	56	52.5	20.3	1.2

*Other capacitance , voltage and dimensions are available on request.

ΔVersion: 2016-1.0

❖ Part Number System

EX: USM38-506K600F437.5

USM38	-	50	K	600	F4	52.5
⋮		⋮	⋮	⋮	⋮	⋮
Series		Capacitance	Tolerance	Voltage	Style	P
		105=1.0μF	J=±5%	VDC	F=2pins	
		106=10.0μF	K=±10%		F4=4pins	

3

87 Browne St. Oneonta, NY 13820 Ph: 607-432-3880