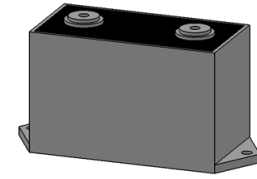


www.ontoentatechnologies.com

Power Resonance Capacitor for Series Resonance of L.C. Circuit

❖ General Description



Standard Reference	IEC 61071
Climatic Category	40 / 85 / 56
Max . Altitude	2000 m
Dielectric Material	Self-Healing Metallized Polypropylene
Case Type	Plastic Case, Resin filled, UL94V-0
Terminals Type	Flat Copper , Male and Female screw terminals
Capacitance Range	Cn: 0.01μF ~ 10μF (1kHz , 20°C)
Capacitance Tolerance	J (±5%), K(±10%)
Dielectric Dissipation Factor	Dielectric Dissipation Factor (tg δ): 0.0002 (1kHz , 20°C)
Insulation Resistance	IR × Cn : ≥10000s (100Vdc, 60s, 20°C)
Rated Voltage	Urms : 500VAC ~ 3000VAC
Test voltage U _{TT}	U _{TT} : 1.5Urms (10s , 20°C) –Test voltage between both terminals
Test voltage U _{TC}	U _{TC} : 4000Vac (10s , 20°C) –Test voltage between terminals with case
	1.1 × Un : 30% of on-load duration
	1.15 × Un : 30 min/day
Maximum Over Voltage	1.2 × Un : 5 min/day
	1.3 × Un : 1 min/day
	1.5 × Un : 30 ms/time, 1000 times during the life of the capacitor
Operating Temperature	-40°C ~ +85°C; Θ _{hs} ≤ 85°C, 1.0Urms
Storage Temperature	-40°C ~ +85°C
Lifetime Expectancy	30,000 hours (1.0Urms , Θ _{hs} ≤ 70°C)
Max. Torque of terminals	M6 Female screw: 3.5 Nm , M8 Female screw: 5.0 Nm
Max. Torque of installation	Installation hole : 3.0 Nm
Applications	L.C. Series of Resonance Circuit, IGCT/GTO/SCR Snubber etc..
Rmarks	RoHs Compliant on request. Add "R" to p/n. *Other capacitance, voltage and dimensions are available on request

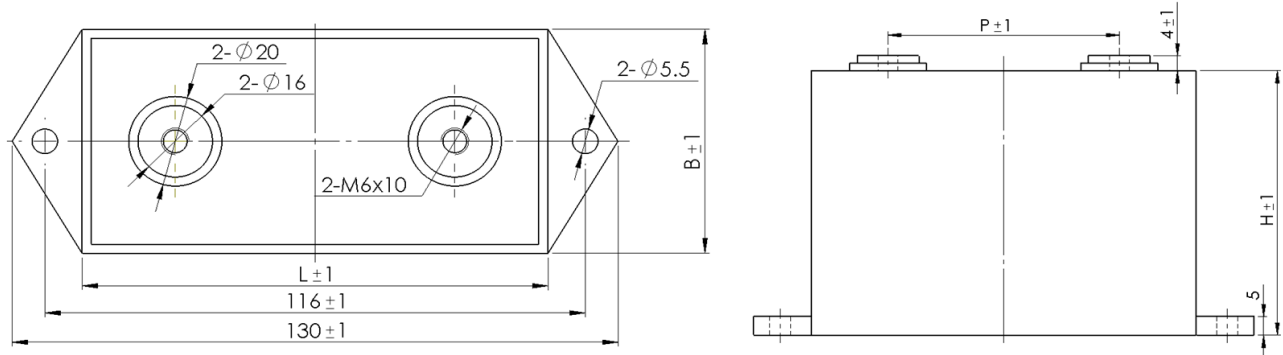
❖ Part Number System

EX: USM55-105J1500B100

USM55	-	105	J	1500	B	100
⋮		⋮	⋮	⋮	⋮	⋮
Series		Capacitance	Tolerance	Voltage	Style	L
		104=0.1μF	J=±5%	Urms	A=M8 Male	Length
		105=1.0μF	K=±10%	Vac	B=M6 Female	
					C=Flat Copper	

Style B: Female Screw (Output : M6)

Unit: mm



❖ Electrical Characteristics

*Other capacitance , voltage are available on request.

ΔVersion: 2016-1.0

Part Number	Cn	Vrms	ESL	Irms	dv/dt	I peak	Dimension (mm)			
	μF	Vac	nH	Max.	V/μs	Amps	L	B	H	P
Urms : 600VAC, U _{TT} : 900Vac										
USM55-405J600B100	4.0	600	28	70A	800	3200	100	50	70	60
USM55-505J600B100	5.0	600	28	80A	800	4000	100	50	70	60
USM55-605J600B100	6.0	600	28	90A	800	4800	100	50	70	60
USM55-685J600B100	6.8	600	28	100A	800	5440	100	50	70	60
Urms : 800VAC, U _{TT} : 1200Vac										
USM55-255J800B100	2.5	800	28	60A	1100	2750	100	50	70	60
USM55-305J800B100	3.0	800	28	70A	1100	3300	100	50	70	60
USM55-355J800B100	3.5	800	28	80A	1100	3850	100	50	70	60
USM55-405J800B100	4.0	800	28	90A	1100	4400	100	50	70	60
Urms : 1000VAC, U _{TT} : 1500Vac										
USM55-105J1000B100	1.0	1000	26	60A	1200	1200	100	50	70	60
USM55-125J1000B100	1.2	1000	26	70A	1200	1440	100	50	70	60
USM55-155J1000B100	1.5	1000	26	80A	1200	1800	100	50	70	60
USM55-185J1000B100	1.8	1000	26	90A	1200	2160	100	50	70	60
Urms : 1200VAC, U _{TT} : 1800Vac										
USM55-824J1200B100	0.82	1200	26	50A	1400	1148	100	50	70	60
USM55-105J1200B100	1.0	1200	26	60A	1400	1400	100	50	70	60
USM55-125J1200B100	1.2	1200	26	70A	1400	1680	100	50	70	60
USM55-155J1200B100	1.5	1200	26	80A	1400	2100	100	50	70	60
Urms : 1500VAC, U _{TT} : 2250Vac										
USM55-684J1500B100	0.68	1500	26	50A	1500	1020	100	50	70	60
USM55-824J1500B100	0.82	1500	26	60A	1500	1230	100	50	70	60
USM55-105J1500B100	1.0	1500	26	70A	1500	1500	100	50	70	60
USM55-125J1500B100	1.2	1500	26	80A	1500	1800	100	50	70	60
Urms : 2000VAC, U _{TT} : 3000Vac										
USM55-334J2000B100	0.33	2000	26	40A	2000	660	100	50	70	60
USM55-474J2000B100	0.47	2000	26	50A	2000	940	100	50	70	60
USM55-504J2000B100	0.5	2000	26	60A	2000	1000	100	50	70	60
USM55-604J2000B100	0.6	2000	26	70A	2000	1200	100	50	70	60