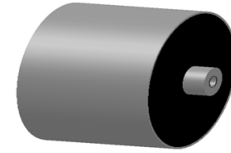


www.oneontatechnologies.com

Film Capacitor for High Frequency DC Filtering or Decoupling

❖ General Description



Standard Reference	IEC 61071
Climatic Category	40 / 85 / 56
Max . Altitude	2000 m
Dielectric Material	Self-Healing Metallized Polypropylene
Case Type)	Polyester tape or Plastic Case,Resin filled,UL94V-0
Terminals Type	Male or Female screw terminals
Capacitance Range	Cn: 1.0μF ~ 200μF (1kHz , 20°C)
Capacitance Tolerance	J (±5%), K(±10%)
Dielectric Dissipation Factor	Dielectric Dissipation Factor (tg δ ₀): 0.0002 (1kHz , 20°C)
Insulation Resistance	IR × Cn : ≥10000s (100Vdc, 60s, 20°C)
Rated Voltage	Un : 300VDC ~ 5000VDC
Test voltage U _{TT}	U _{TT} : 1.5Un (10s , 20°C) –Test voltage between both terminals
Test voltage U _{TC}	U _{TC} : 4000Vac (10s , 20°C) –Test voltage between terminals with case
	1.1 × Un : 30% of on-load duration
	1.15 × Un : 30 min/day
Maximum Over Voltage	1.2 × Un : 5 min/day
	1.3 × Un : 1 min/day
	1.5 × Un : 30 ms/time, 1000 times during the life of the capacitor
Operating Temperature	- 40°C ~ +85°C
Storage Temperature	-40°C ~ +85°C
Lifetime Expectancy	100,000 hours (1.0Un , Θ _{hs} ≤ 70°C)
Max. Torque of terminals	M6 Female screw: 3.5 Nm , M8 Female screw: 5.0 Nm
Max. Torque of installation	Installation hole : 3.0 Nm
Installation	Any Position
Applications	Welding Machine,Induction Heating power, High frequency power
Remarks	RoHs Compliant on request. Add "R" to p/n. *Other capacitance, voltage and dimensions are available on request

❖ Part Number System

EX: USM36-106K450B40S028

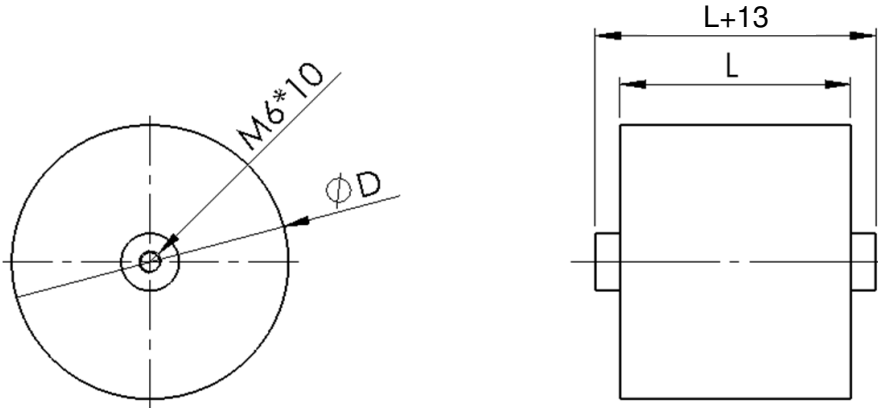
USM36	-	106		K		450		B		40		#		#
⋮		⋮		⋮		⋮		⋮		⋮		⋮		⋮
Series		Capacitance		Tolerance		Voltage		Style		L		Mounting		Diameter
		106=10.0μF		J=±5%		VDC		B=M6 Female		Length		Style		ΦD
		107=100.0μF		K=±10%				C=Lug Terminal				S0, S1		

1

87 Browne St. Oneonta, NY 13820 Ph: 607-432-3880

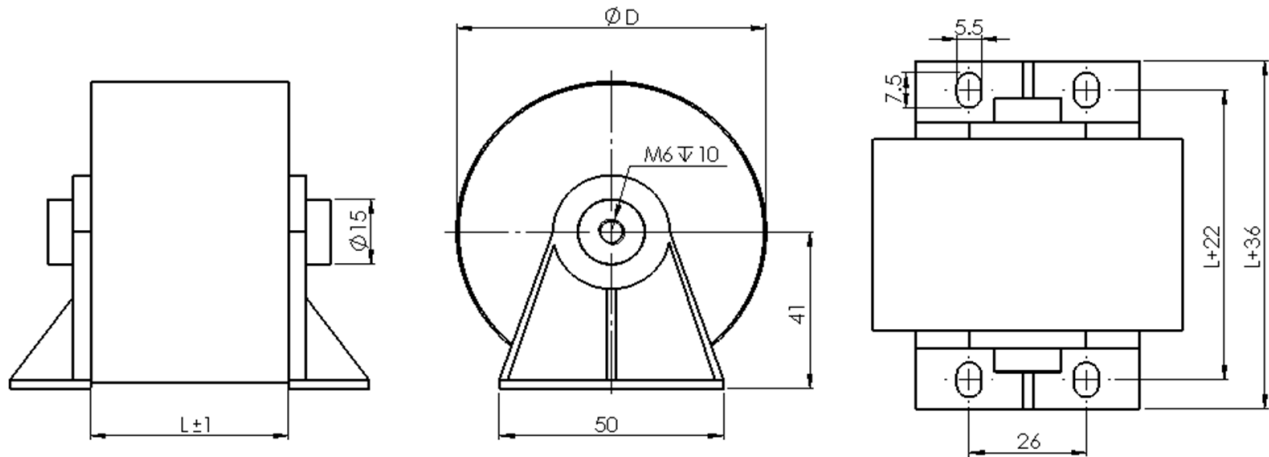
Style B: Female Screw (Output : M6), Mounting Style: S0

Unit: mm



Style B: Female Screw (Output : M6), Mounting Style: S1

Unit: mm



❖ Electrical Characteristics

Part Number	Cn	Un	UTT	ESL	ESR	Irms	dv/dt	I peak	Dimension (mm)	
	µF	Vdc	Vdc	nH	mΩ	Max.	V/µs	Amps	ΦD	L
Un : 450VDC										
USM36-106K450B40#28	10	450	675	25	4.0	20A	30	300	28	40
USM36-206K450B40#38	20	450	675	25	2.5	25A	30	600	38	40
USM36-306K450B40#45	30	450	675	25	1.8	30A	30	900	45	40
USM36-406K450B40#52	40	450	675	25	1.5	35A	30	1200	52	40
USM36-506K450B40#58	50	450	675	25	1.4	40A	30	1500	58	40
USM36-606K450B50#53	60	450	675	35	1.8	40A	28	1680	53	50
USM36-706K450B50#57	70	450	675	35	1.6	45A	28	1960	57	50
USM36-806K450B50#62	80	450	675	40	1.5	50A	28	2240	62	50
USM36-107K450B60#62	100	450	675	40	1.8	50A	25	2500	62	60
USM36-207K450B60#68	200	450	675	40	1.4	60A	25	5000	68	60

❖ **Electrical Characteristics**

USM36 Series

www.oneontatechnologies.com

Part Number	Cn	Un	UTT	ESL	ESR	Irms	dv/dt	I peak	Dimension (mm)	
	μF	Vdc	Vdc	nH	mΩ	Max.	V/μs	Amps	ΦD	L
Un : 600VDC										
USM36-106K600B40#32	10	600	900	25	3.5	25A	50	500	32	40
USM36-206K600B40#45	20	600	900	25	2	35A	50	1000	45	40
USM36-306K600B40#54	30	600	900	25	1.6	45A	50	1500	54	40
USM36-406K600B40#62	40	600	900	25	1.4	55A	50	2000	62	40
USM36-506K600B40#70	50	600	900	25	1.2	65A	50	2500	70	40
USM36-606K600B50#64	60	600	900	35	1.6	55A	45	2700	64	50
USM36-706K600B50#68	70	600	900	35	1.4	60A	45	3150	68	50
USM36-806K600B50#73	80	600	900	35	1.3	65A	45	3600	73	50
USM36-107K600B60#72	100	600	900	40	1.6	65A	40	4000	72	60
Un : 700VDC										
USM36-106K700B40#28	10	700	1050	25	4.0	20A	30	300	28	40
USM36-206K700B40#38	20	700	1050	25	2.5	25A	30	600	38	40
USM36-306K700B40#45	30	700	1050	25	1.8	30A	30	900	45	40
USM36-406K700B40#52	40	700	1050	25	1.5	35A	30	1200	52	40
USM36-506K700B40#58	50	700	1050	25	1.3	40A	30	1500	58	40
USM36-606K700B50#54	60	700	1050	30	2	40A	25	1500	54	50
USM36-706K700B50#58	70	700	1050	30	1.8	45A	25	1750	58	50
USM36-806K700B50#62	80	700	1050	30	1.7	50A	25	2000	62	50
USM36-107K700B50#68	100	700	1050	30	1.5	55A	25	2500	68	50
Un : 800VDC										
USM36-106K800B40#42	10	800	1200	25	2.8	35A	60	600	42	40
USM36-206K800B40#60	20	800	1200	25	1.7	45A	60	1200	60	40
USM36-306K800B50#60	30	800	1200	30	2.0	55A	55	1650	60	50
USM36-406K800B70#50	40	800	1200	30	1.7	65A	55	2200	70	50
USM36-506K800B60#68	50	800	1200	35	2.0	65A	50	2500	68	60
USM36-606K800B60#58	60	800	1200	35	2.1	60A	50	3000	58	60
USM36-706K800B60#60	70	800	1200	35	2.0	60A	50	3500	60	60
USM36-806K800B60#65	80	800	1200	35	1.8	65A	50	4000	65	60
USM36-107K800B60#72	100	800	1200	35	1.6	70A	50	5000	72	60
Un : 1200VDC										
USM36-106K800B40#52	10	1200	1800	25	2.3	40A	80	800	52	40
USM36-206K800B40#73	20	1200	1800	25	1.5	50A	80	1600	73	40
USM36-306K800B50#75	30	1200	1800	30	1.7	55A	75	2250	75	50
USM36-406K800B50#78	40	1200	1800	30	2.0	65A	75	3000	78	50
USM36-506K800B60#68	50	1200	1800	35	2.0	60A	70	3500	68	60
USM36-606K800B60#75	60	1200	1800	35	1.7	65A	70	4200	75	60
USM36-706K800B60#80	70	1200	1800	35	1.6	70A	70	4900	80	60
USM36-806K800B60#75	80	1200	1800	35	2.1	65A	70	5600	75	60
USM36-107K800B60#85	100	1200	1800	35	1.8	75A	70	7000	85	60

*Other capacitance , voltage and dimensions are available on request.

ΔVersion: 2016-1.0